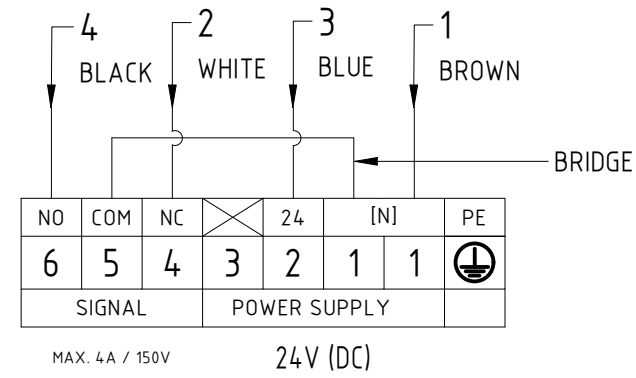


STANDARD

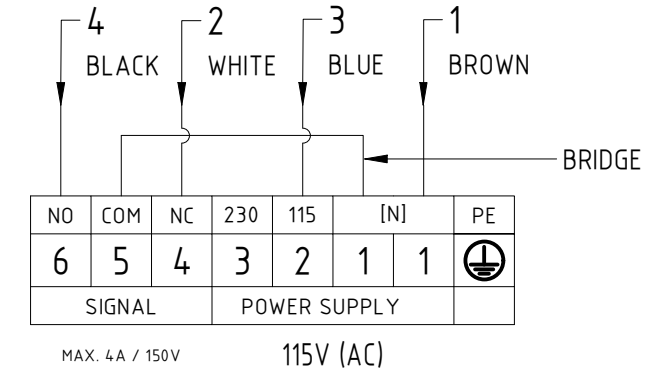
24 VDC

| M12 pole N. | Color | Signal |
|-------------|-------|-----------|
| 1 | BROWN | ±24V (DC) |
| 2 | WHITE | NC |
| 3 | BLUE | ±24V (DC) |
| 4 | BLACK | NO |



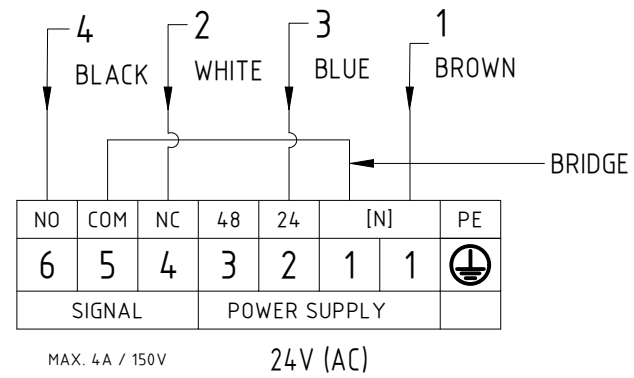
115 VAC

| M12 pole N. | Color | Signal |
|-------------|-------|-----------|
| 1 | BROWN | NEUTRAL |
| 2 | WHITE | NC |
| 3 | BLUE | 115V (AC) |
| 4 | BLACK | NO |



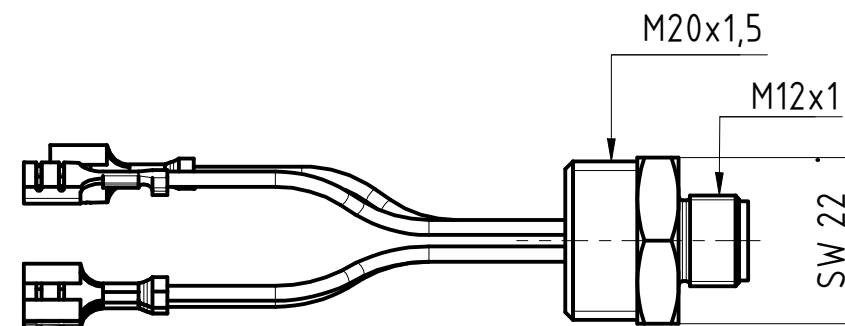
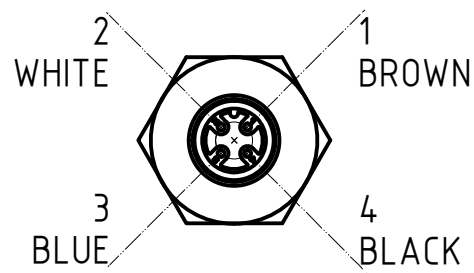
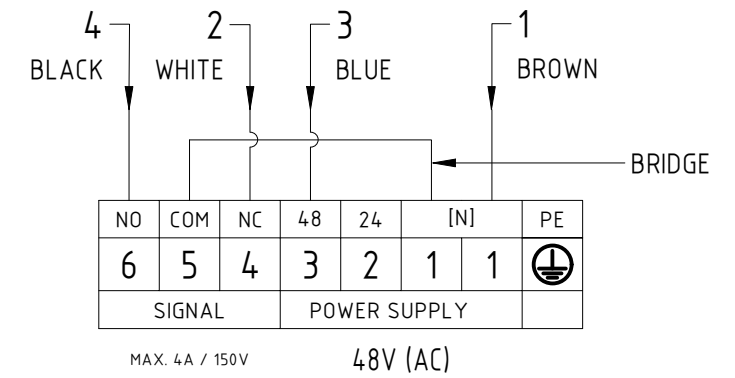
24 VAC

| M12 pole N. | Color | Signal |
|-------------|-------|----------|
| 1 | BROWN | NEUTRAL |
| 2 | WHITE | NC |
| 3 | BLUE | 24V (AC) |
| 4 | BLACK | NO |



48 VAC

| M12 pole N. | Color | Signal |
|-------------|-------|----------|
| 1 | BROWN | NEUTRAL |
| 2 | WHITE | NC |
| 3 | BLUE | 48V (AC) |
| 4 | BLACK | NO |



**CONFIDENTIAL / PROPRIETARY
DO NOT DISTRIBUTE**

® CAMLogic
- ALL RIGHTS RESERVED -

| | | | |
|---|--|---|------------------|
| ® CAMLogic Via Dell'Industria 12 42025 Cavriago (RE) - ITALY Web: www.camlogic.it | | DRAWING NUMBER | |
| | | 0602_0040_00 | |
| SCALE: 1 : 1 | DESCRIPTION | DRAWN: Padovani S. | 13/11/2024 |
| GENERAL TOL: ISO 2768-mH | | M12 CONNECTOR CONNECTION DIAGRAMS PFG57 | |
| FILE: 0602_0040_00 | DRAWING FROM CAD SYSTEM - REFER TO 3D MODEL FOR MISSING DIMENSION - NO MANUAL MODIFICATION ALLOWED | UNLESS OTHERWISE SPECIFIED - DIMENSIONS ARE IN mm - | SHEET NO: 1 OF 1 |

SIZE UNI A3